

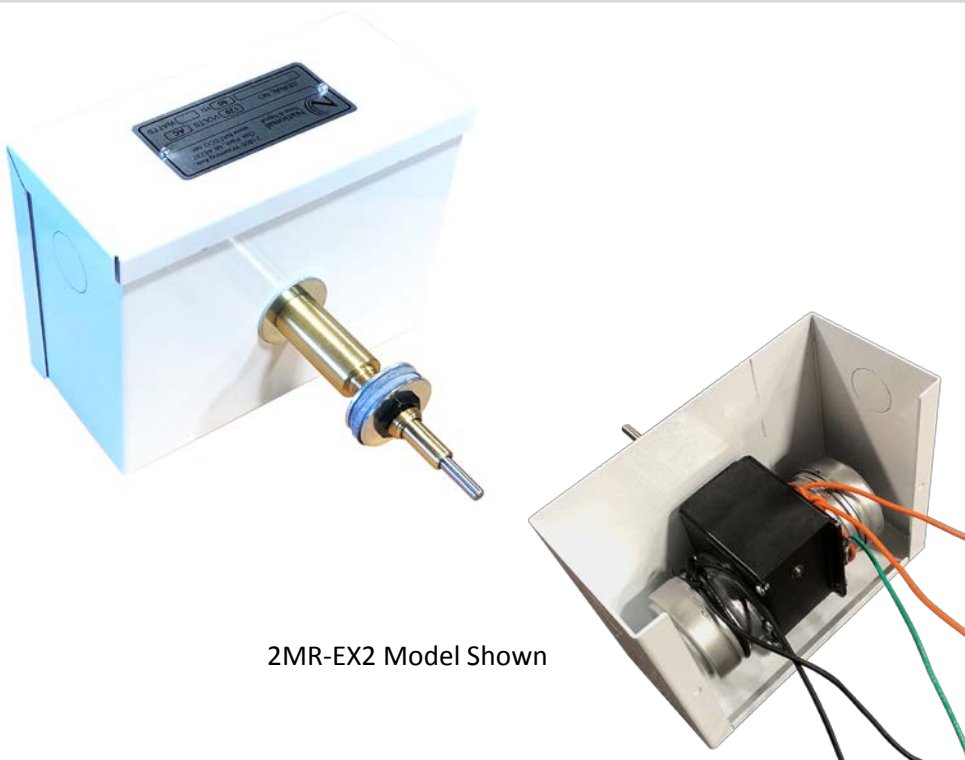
The National Time 2M Series clock mechanisms are economical yet employ the exclusive worm-gear drive technology similar to its bigger cousins. The 2M mechanism is driven by a permanent magnet, 115V 50Hz or 60Hz synchronous gear motor. These mechanisms offer mounting options to suit all applications with dial sizes up to 42" diameter. Custom shaft lengths up to 10" can be provided to meet specific project requirements.

Variations:

2M- The 2M version is a stand-alone clock that keeps time using the 60Hz power line. The synchronized motor provides smooth continuous movement of the hands. Time correction is accomplished by manually spinning the minute hand until the correct time is reached.

2MR- The 2MR Synchronous version employs an additional 10 rpm motor providing means to electrically adjust the time from an accessible location using a #970 Series manual switch panel or be automatically corrected following power loss and daylight saving adjustments with any of our Master Clock Controllers.

2MI- The 2MI minute impulse version advances incrementally each minute utilizing a single motor. An MC3-MI Master Clock Controller is required for operation and provides automatic correction. The 2MI clocks will not be subject to power frequency drift when installed in countries that do not regulate the frequency or installations that may use generator backup power. An MC3-MI with the MC3-4SW circuit expansion switches will allow the user to remotely adjust up to 4 clocks independently during installation or repair.



2MR-EX2 Model Shown

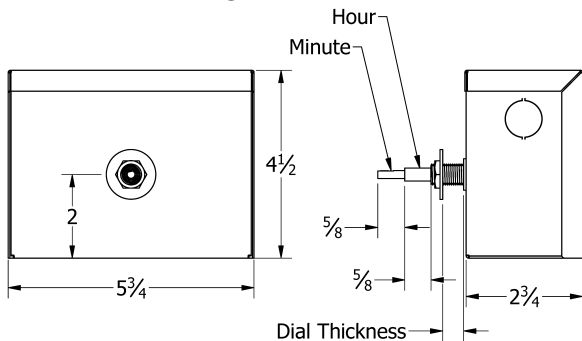
Common Features:

- Dial sizes to 42"
- Rugged box construction
- Shaft extension to eliminate illuminated dial shadows
- Through wall applications to 10" thick
- Front mount applications
- UL 48 Listed
- Manufactured in the U.S.A.

Specifications

Input power:	120 VAC (specify 50Hz or 60 Hz)
Watts:	3
Weight:	2.25 lbs – 1kg. (Approximate)

Standard Mounting

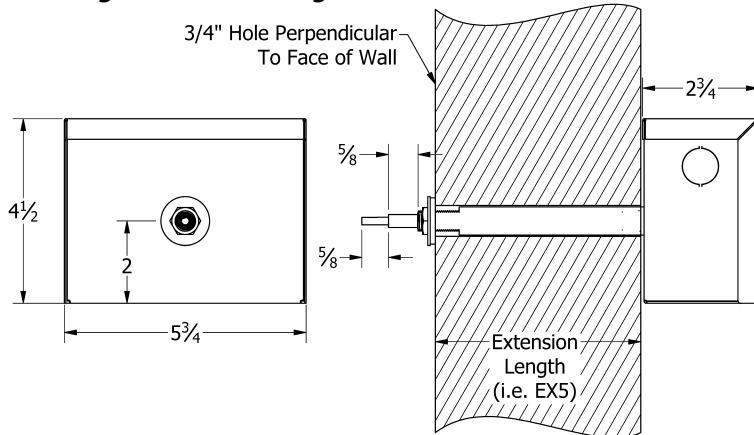


Clock dial up to 1/2" thick.

Order (-LB) for dial thicknesses up to 1-1/4".

Order (-HGL) for 7/16" long hour and minute shafts. (Typical for clocks with front cover glass.)

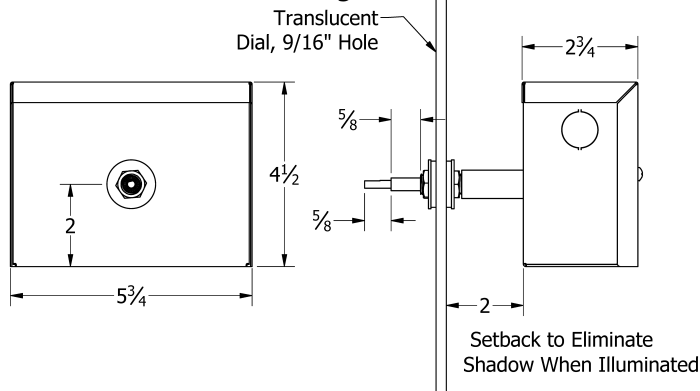
Through Wall Mounting



Shaft extensions up to 10" for through wall or similar applications.

A 3/4" hole through wall is required.

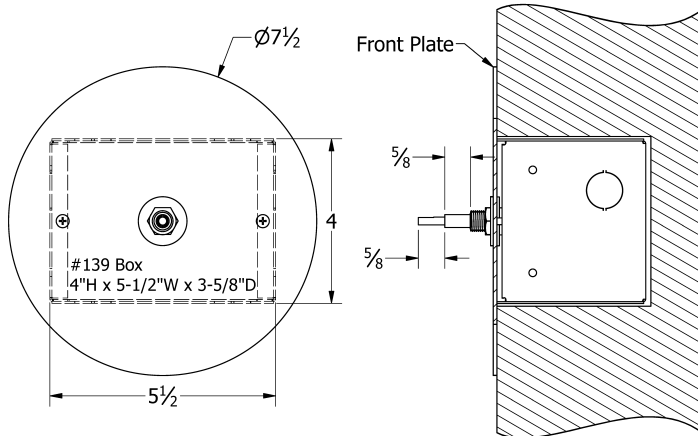
Rear Illuminated Mounting



When using a translucent dial and back lighting, the EX2 shaft length will provide a set-back to eliminate the shadow of the movement housing.

Order (-HGL) for 7/16" long hour and minute shafts typical for clocks with front cover glass.

Front Mounting



Front mounting requires the #139 Wall Box mounted flush or slightly recessed to the finished wall. A 7-1/2" diameter 0.09" aluminum front plate will cover the rough opening, support the 2M mechanism and secure to the wall box with flathead screws. Square or custom shaped front plates are available.

See 500 Series Clock brochure and our Hand/Dial selections for typical styles or create your own vision.

Part Numbers

2M<type> -<hand length>- <extension shaft >

<type>= Blank, R, or I

<hand length>= Length of minute hand center to tip; blank=without hands

<extension>= Blank, LB (long bushing) or EX+ Length of extension (2-10 inches)

Add suffix " -LC" for movement less cabinet

Add suffix "-HGL" for shorter 7/16" long hour and minute shafts.

Examples:

2MI-18-EX8 : Impulse Series with 18" minute hand and 8" extension

2MR-14 : Synchronous Series Standard Mount with 14" hands.

2MI-11-LB : Impulse Series Standard Mount with 11" hands and long center bushing.

139: Wall box for flush mount installations

139FP-7.5: Front plate mounting. 7-1/2" diameter 0.090" thick aluminum, primed for paint. Custom shapes available.

Clock Controllers



970 Manual Switches



980-4-SA Manual Switches



MC3 Master Clock



MC3 Master Clock with 4SW Switches



MC100 and MC100-WP Weather proof Master Clock